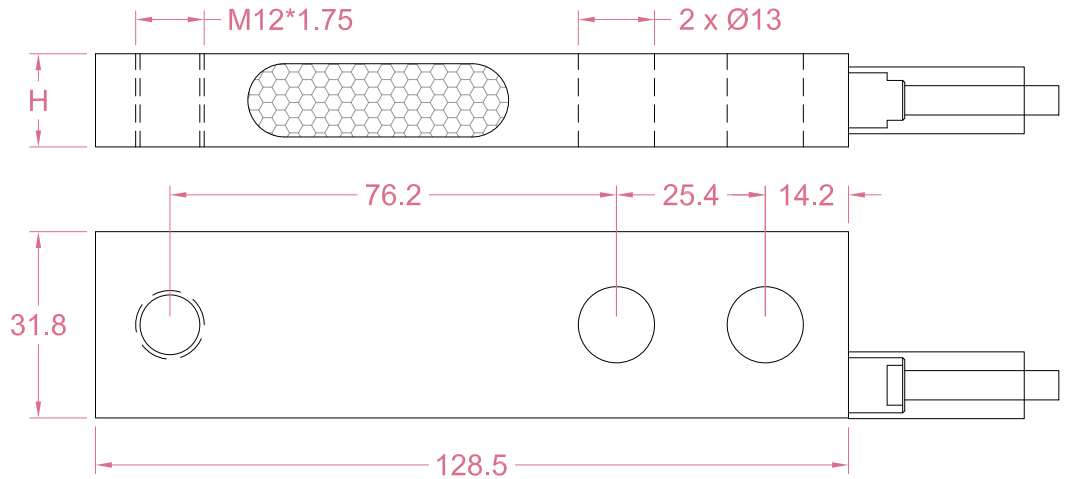




Dimensions in "mm"

Capacity	H
200kg	12.7
500kg	15.9
1t	19.1
2t	25.4



Order example:

2 x LCG03 - 500kg - S

Quantity | Model | Capacity | S:Stainless steel
 A:Alloy steel

Email to sales@loadcellsensor.com for a quote



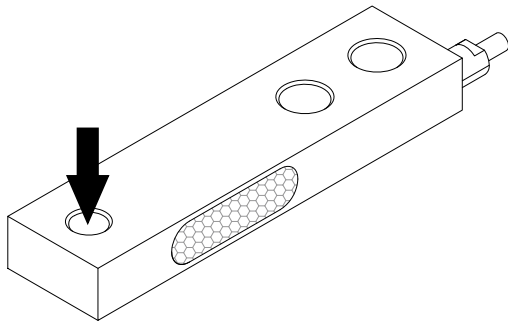
Specifications			
Rated Capacity	200/500/1000/2000 kg		
Rated Output	2.0±0.002 mV/V	Compensated Temp.	-10...+40°C
Excitation	3~15V	Operating Temp.	-30...+70°C
Zero Balance	±0.03 mV/V	Temp. Coeff. of Zero	±0.002% F.S./°C
Nonlinearity	±0.02% F.S.	Temp. Coeff. of Span	±0.002% F.S./°C
Hysteresis	±0.02% F.S.	Input Resistance	1100±10 Ohms
Nonrepeatability	±0.02% F.S.	Output Resistance	1000±10 Ohms
Creep(30min)	±0.02% F.S.	Insulation Resistance	>2000M Ohms(50V)
Safe Load Limit	150% F.S.	IP Rating	IP67
Breaking Load	250% F.S.	Element Material	Alloy steel Stainless steel
Cable	Ø5*3000mm 4-conductor shielded cable		

• LCS reserves the right to modify its design and specifications without notice

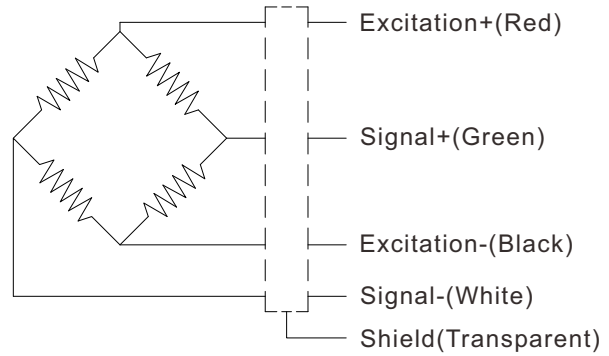




Load direction

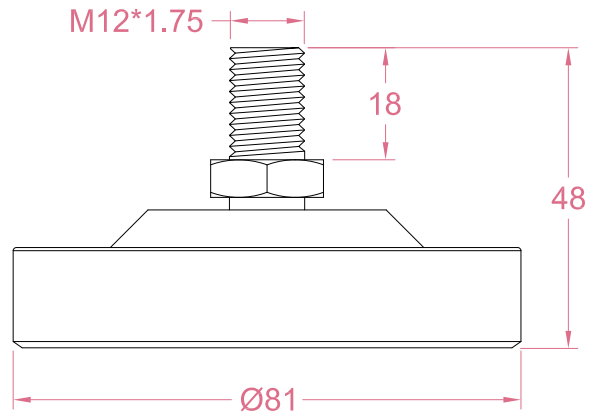
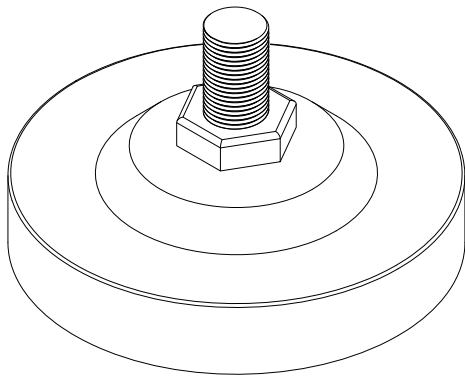


Wiring Code



Shield is NOT connected to the sensor body

Load cell foot



Item No.	Material
LCG03-M12	Stainless steel and rubber

