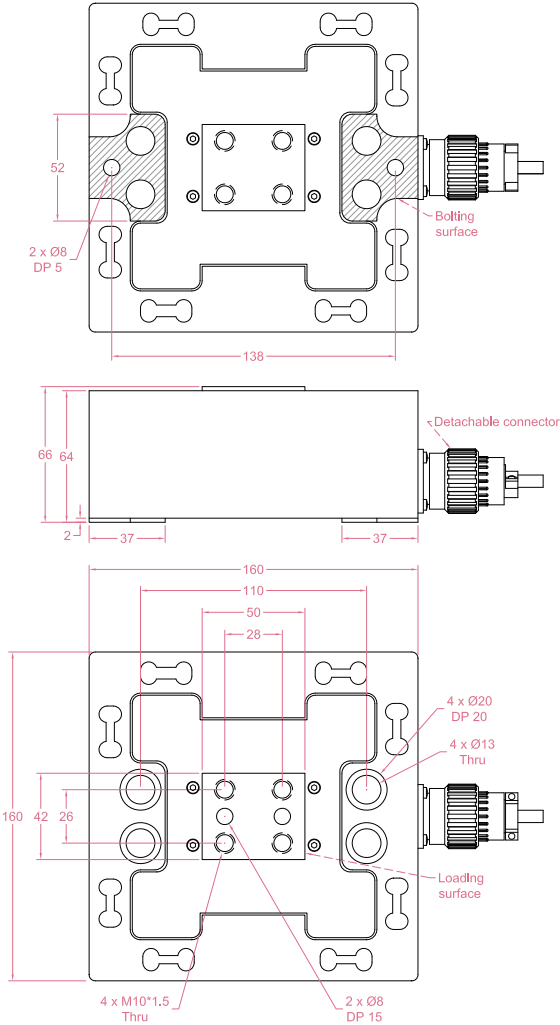




Dimensions in "mm"



Order example:

2 x LCM04 - 20kN - A

Quantity Model Capacity (Fx=Fy=Fz) A: Alloy steel
S: Stainless steel
Email to sales@loadcellsensor.com for a quote

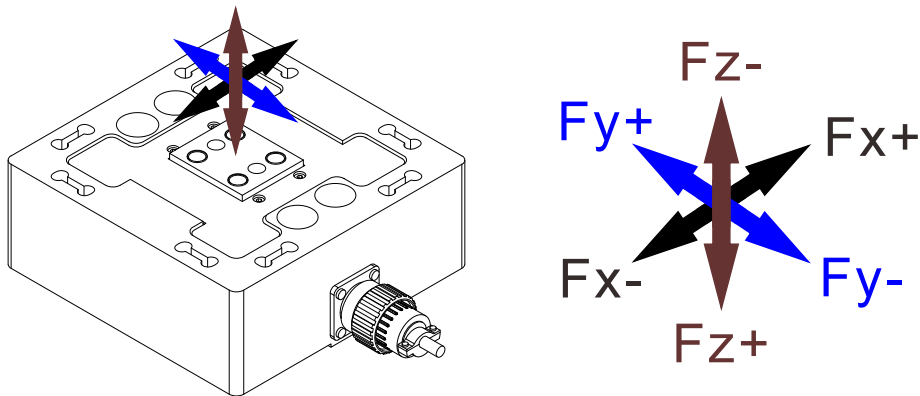
Specifications			
Rated Capacity	Fx=Fy=Fz=5/10/20/30/50 kN		
Rated Output	1.0 mV/V	Crosstalk	<3% F.S.
Excitation	3~15V	Operating Temp.	-10...+60°C
Zero Balance	±0.05 mV/V	Temp. Coeff. of Zero	±0.03% F.S./°C
Nonlinearity	±0.3% F.S.	Temp. Coeff. of Span	±0.02% F.S./°C
Hysteresis	±0.3% F.S.	Input Resistance	750±100 Ohms
Nonrepeatability	±0.1% F.S.	Output Resistance	700±100 Ohms
Creep(3min)	±0.1% F.S.	Insulation Resistance	>2000M Ohms(50V)
Safe Load Limit	150% F.S.	IP Rating	IP62
Breaking Load	180% F.S.	Element Material	Alloy steel Stainless steel
Cable	Ø6*3000mm 12-conductor shielded cable		

• LCS reserves the right to modify its design and specifications without notice



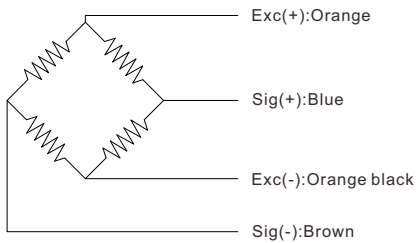


Load direction

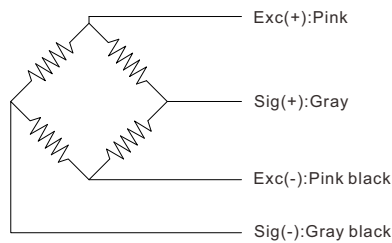


Wiring Code

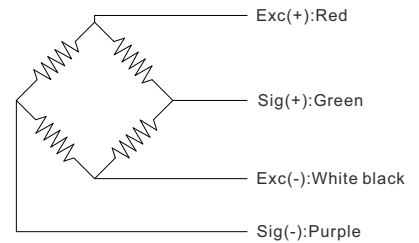
X-axis



Y-axis



Z-axis



Shield is NOT connected to the sensor body

Sensor/Amplifier/Indicator

Items	Power supply	Output/Function
LCM04	3-15V (Constant)	-15mV...+15mV (Depending on the power supply)
LCM04 + Analog amplifier	12~24V DC	0-3.3V,0-5V,0-10V,0-2.5-5V,0-5-10V -3.3-3.3V,-5-5V,-10-10V 0-20mA,4-20mA,4-12-20mA...
LCM04 + Digital amplifier	12~24V DC	RS485 or RS232 output

Email us for datasheet of amplifiers

