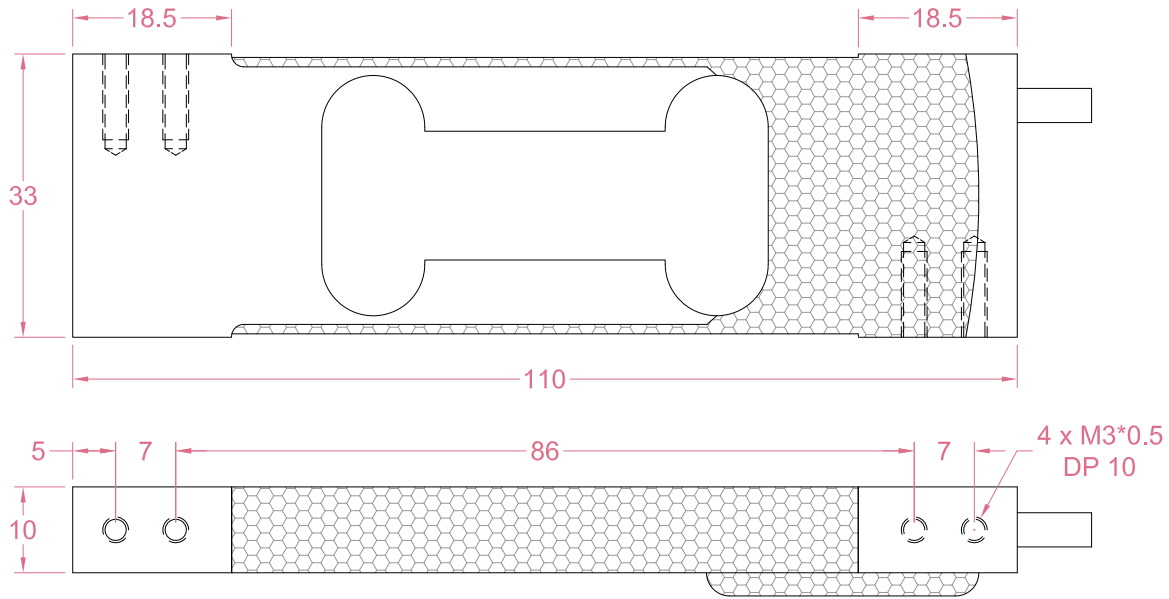




Dimensions in "mm"



Order example:

2 x LCE08 - 0.3kg

Quantity

Model

Capacity

Email to sales@loadcellsensor.com for a quote

Specifications

Rated Capacity	0.3/0.6/1/1.5/3 kg		
Rated Output	1.0±0.1 mV/V	Compensated Temp.	-10...+40°C
Excitation	3~15V	Operating Temp.	-20...+60°C
Zero Balance	±0.06 mV/V	Temp. Coeff. of Zero	±0.005% F.S./°C
Nonlinearity	±0.02% F.S.	Temp. Coeff. of Span	±0.003% F.S./°C
Hysteresis	±0.02% F.S.	Input Resistance	405±10 Ohms
Nonrepeatability	±0.015% F.S.	Output Resistance	352±5 Ohms
Creep(30min)	±0.03% F.S.	Insulation Resistance	>2000M Ohms(50V)
Safe Load Limit	150% F.S.	IP Rating	IP65
Breaking Load	180% F.S.	Element Material	Aluminum alloy
Cable	Ø4*250mm 4-conductor shielded cable		
Wiring code	Red:Exc+ Black:Exc- Green:Sig+ White:Sig-		

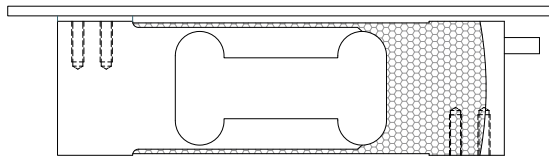
• LCS reserves the right to modify its design and specifications without notice

P:1/2



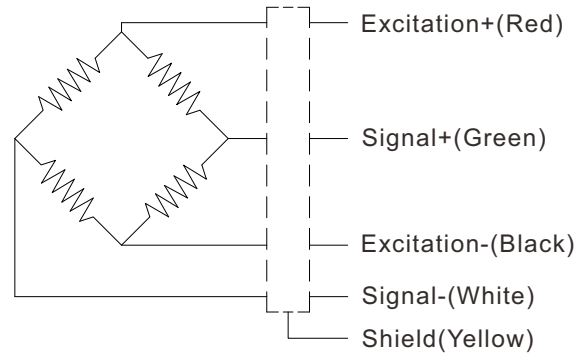


Load direction



Suitable for off center load measurement.
 Platform size goes up to 150x150mm

Wiring Code



Shield is NOT connected to the sensor body

Sensor/Amplifier/Indicator

Items	Power supply	Output/Function
LCE08	3-15V (Constant)	0mV...+15mV (Depending on the power supply)
LCE08 + Analog amplifier	12~24V DC	0-3.3V,0-5V,0-10V, 0-20mA,4-20mA...
LCE08 + Digital amplifier	12~24V DC	RS485 or RS232 output
LCE08 + Indicator	12~24V DC	Display force value Switch/Relay output Peak holding RS485/RS232 interface 0-5V/0-10V/4-20mA output

[Email us for datasheet of amplifier and indicator](#)

