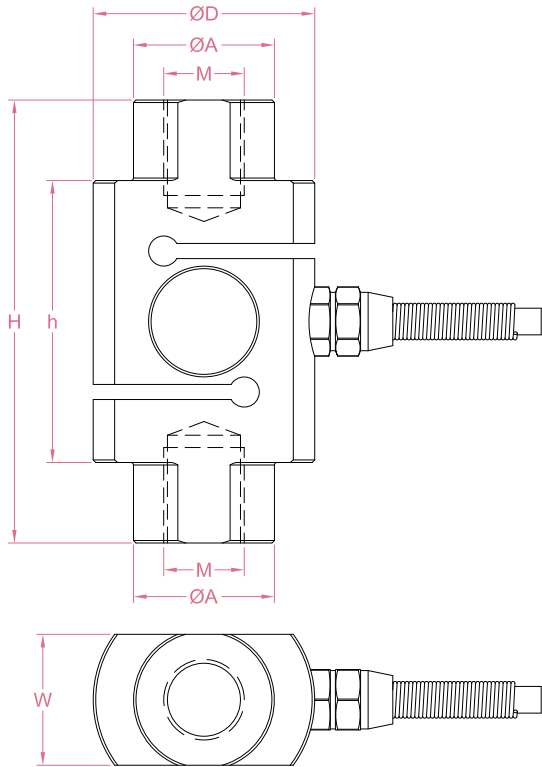




Dimensions in "mm"



Order example:

2 x LCS15 - 500kg

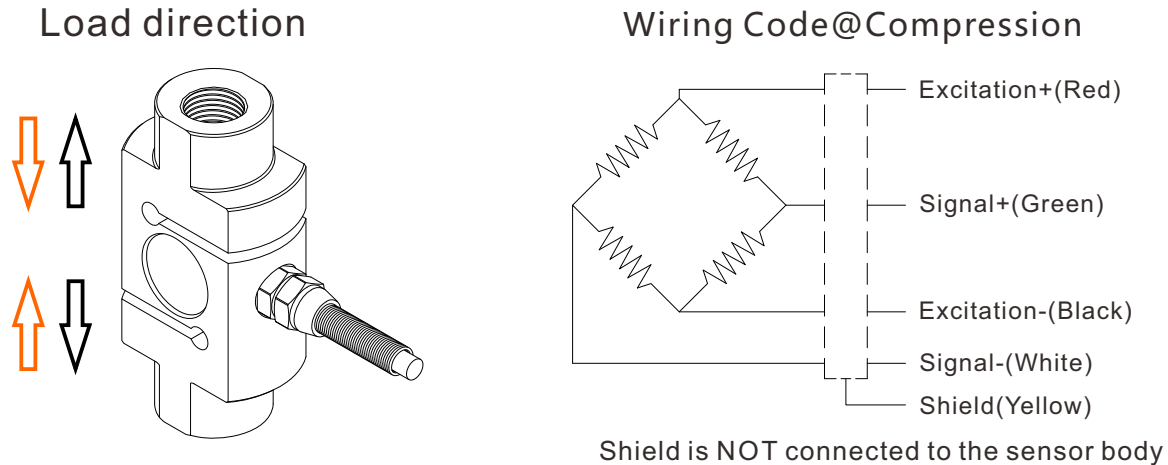
Quantity Model Capacity
 Email to sales@loadcellsensor.com for a quote

Capacity	H	W	D	h	A	M
100/200/300/500kg	88	26	44	56	28	M16*1.5
1/2/3/5t	112	44	58	68	38	M24*3
10t	160	58	84	104	60	M36*4
20t	156	76	88	108	68.5	M36*4

Specifications			
Rated Capacity	100/200/300/500kg 1/2/3/5/10/20t		
Rated Output	2.0 mV/V	Compensated Temp.	-10...+40°C
Excitation	3~15V	Operating Temp.	-20...+60°C
Zero Balance	±0.05 mV/V	Temp. Coeff. of Zero	±0.005% F.S./°C
Nonlinearity	±0.05% F.S. ≥10t: ±0.1% F.S.	Temp. Coeff. of Span	±0.005% F.S./°C
Hysteresis	±0.05% F.S. ≥10t: ±0.1% F.S.	Input Resistance	385±30 Ohms
Nonrepeatability	±0.03% F.S. ≥10t: ±0.05% F.S.	Output Resistance	352±5 Ohms
Creep(5min)	±0.05% F.S.	Insulation Resistance	>2000M Ohms(50V)
Safe Load Limit	150% F.S.	IP Rating	IP65
Breaking Load	180% F.S.	Element Material	Alloy steel
Cable	Ø5*3000mm 4-conductor shielded cable		

• LCS reserves the right to modify its design and specifications without notice





Sensor/Amplifier/Indicator

Items	Power supply	Output/Function
LCS15	3-15V (Constant)	-30mV...+30mV (Depending on the power supply)
LCS15 + Analog amplifier	12~24V DC	0-3.3V,0-5V,0-10V,0-2.5-5V,0-5-10V -3.3-3.3V,-5-5V,-10-10V 0-20mA,4-20mA,4-12-20mA...
LCS15 + Digital amplifier	12~24V DC	RS485 or RS232 output
LCS15 + Indicator	12~24V DC	Display force value Switch/Relay output Peak holding RS485/RS232 interface 0-5V/0-10V/4-20mA output

[Email us for datasheet of amplifier and indicator](#)

Customization options

- Cable
(Length/Specifications/Connectors)
- Dimensions and measuring range