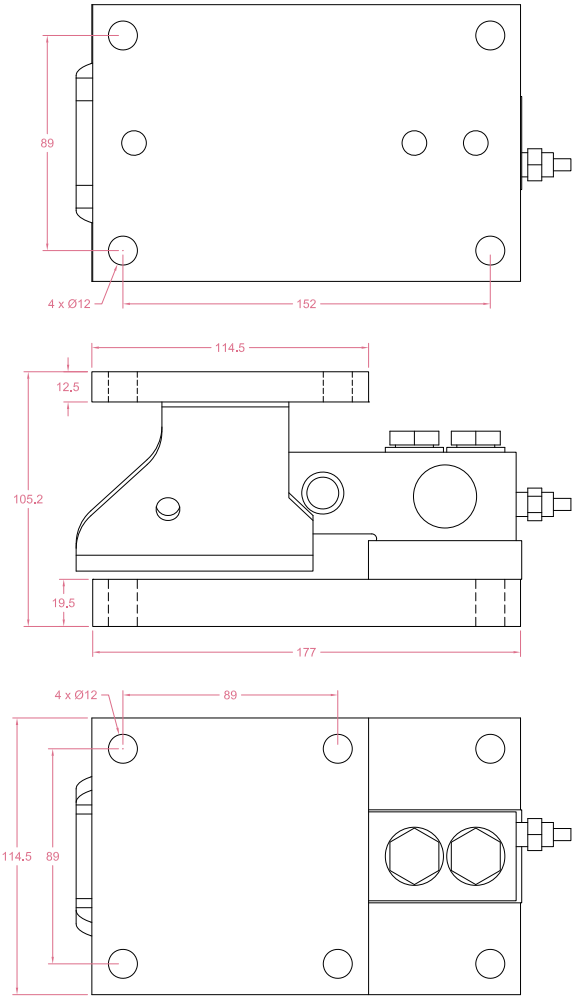




Dimensions in "mm"



Order example:

3 x LCW03 -2t - S

Quantity Model Capacity S:Stainless steel
 A:Alloy steel

Email to sales@loadcellsensor.com for a quote

Specifications			
Rated Capacity	0.3/0.5/1/2/3 t		
Rated Output	2.0±0.01 mV/V	Compensated Temp.	0...+40°C
Excitation	3~15V	Operating Temp.	-20...+60°C
Zero Balance	±0.05 mV/V	Temp. Coeff. of Zero	±0.003% F.S./°C
Nonlinearity	±0.03% F.S.	Temp. Coeff. of Span	±0.003% F.S./°C
Hysteresis	±0.03% F.S.	Input Resistance	385±30 Ohms
Nonrepeatability	±0.02% F.S.	Output Resistance	355±10 Ohms
Creep(5min)	±0.03% F.S.	Insulation Resistance	>2000M Ohms(50V)
Safe Load Limit	150% F.S.	IP Rating	Alloy steel: IP66 Stainless steel: IP67
Breaking Load	200% F.S.	Element Material	Alloy steel Stainless steel
Cable	Ø5*5000mm 4-conductor shielded cable		

• LCS reserves the right to modify its design and specifications without notice

