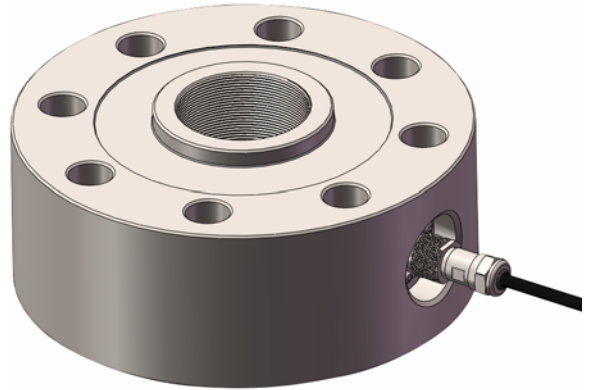
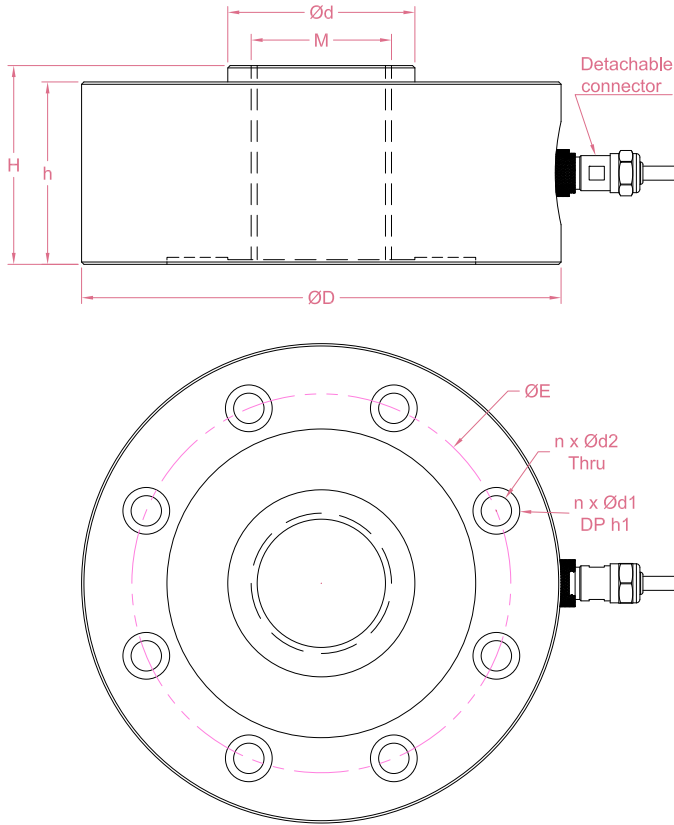




Dimensions in "mm"



Order example:

2 x LCP10 - 1000kN

Quantity Model Capacity

Email to sales@loadcellsensor.com for a quote

Capacity	D	H	h	d	n	d2	d1	h1	E	M
1000kN	205	85	78	80	8	12.5	20	15	162	M60*2
2000kN	296	105	100	136	12	22	33	22	245	M90*3
3000kN	320	105	100	150	16	18	28	20	270	M96*4

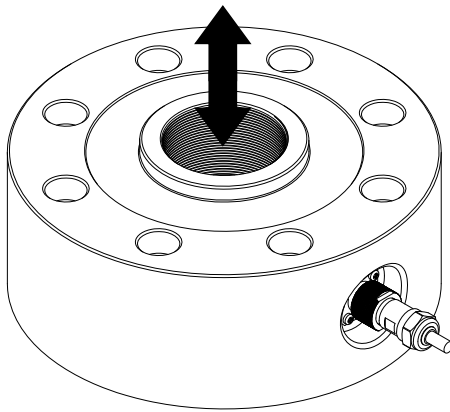
Specifications			
Rated Capacity	1000/2000/3000 kN		
Rated Output	2.0 mV/V	Compensated Temp.	0...+40°C
Excitation	3~15V	Operating Temp.	-20...+60°C
Zero Balance	±0.05 mV/V	Temp. Coeff. of Zero	±0.005% F.S./°C
Nonlinearity	±0.1% F.S. >1000kN:±0.3% F.S.	Temp. Coeff. of Span	±0.005% F.S./°C
Hysteresis	±0.1% F.S. >1000kN:±0.3% F.S.	Input Resistance	350/700±100 Ohms
Nonrepeatability	±0.05% F.S. >1000kN:±0.1% F.S.	Output Resistance	350/700±50 Ohms
Creep(5min)	±0.05% F.S. >1000kN:±0.1% F.S.	Insulation Resistance	>2000M Ohms(50V)
Safe Load Limit	120% F.S.	IP Rating	IP65
Breaking Load	150% F.S.	Element Material	Alloy steel
Cable	Ø5.8*6000mm 4-conductor shielded cable		

• LCS reserves the right to modify its design and specifications without notice

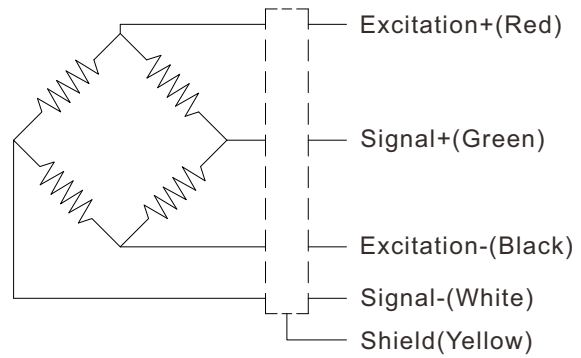




Load direction

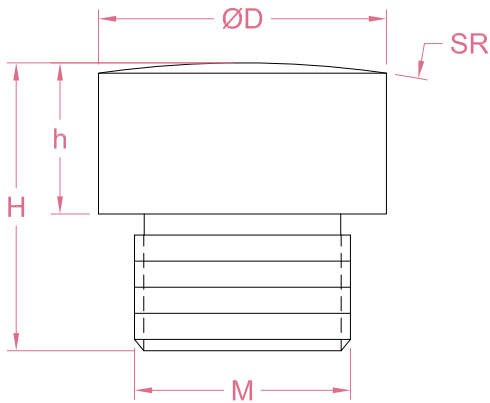


Wiring Code@Compression



Shield is NOT connected to the sensor body

Load button



Item No.	D	H	h	M	SR
LCP10-M60	80	80	42	M60*2	280
LCP10-M90	130	110	55	M90*3	400
LCP10-M96	156	115	60	M96*4	400
Material: Alloy steel					

Sensor/Indicator

Items	Power supply	Output/Function
LCP10	3-15V (Constant)	-30mV...+30mV (Depending on the power supply)
LCP10 + Indicator	12~24V DC	Display force value Switch/Relay output Peak holding RS485/RS232 interface 0-5V/0-10V/4-20mA output
Email us for datasheet of indicator		

