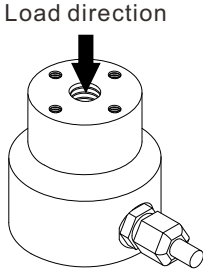
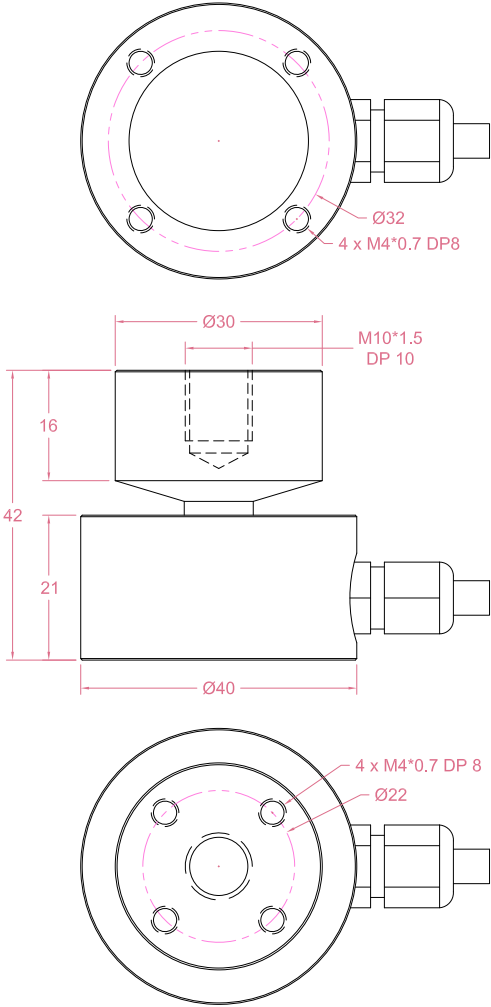




Dimensions in "mm"



Order example:  
**2 x SLCA - 1kN - M**

Quantity      Model      Capacity      M: mV/V output  
 V: 0-10V output

Email to [sales@loadcellsensor.com](mailto:sales@loadcellsensor.com) for a quote

Specifications			
Rated Capacity	500/1k/2k/5k/10k N		
Rated Output	1.0 mV/V (0-10V)	Compensated Temp.	0...+40°C
Excitation	3~15V (24V DC)	Operating Temp.	-20...+60°C -10...+50°C
Zero Balance	±0.1 mV/V (<0.06V)	Temp. Coeff. of Zero	±0.02% F.S./°C
Nonlinearity	±0.5% F.S.	Temp. Coeff. of Span	±0.02% F.S./°C
Hysteresis	±0.5% F.S.	Input Resistance	2000±100 Ohms
Nonrepeatability	±0.2% F.S.	Output Resistance	2000±100 Ohms
Creep(5min)	±0.1% F.S.	Insulation Resistance	>2000M Ohms(50V)
Safe Load Limit	150% F.S.	IP Rating	IP65
Breaking Load	200% F.S.	Element Material	Stainless steel
Cable	Ø5*2000mm 4-conductor shielded cable		

• LCS reserves the right to modify its design and specifications without notice

