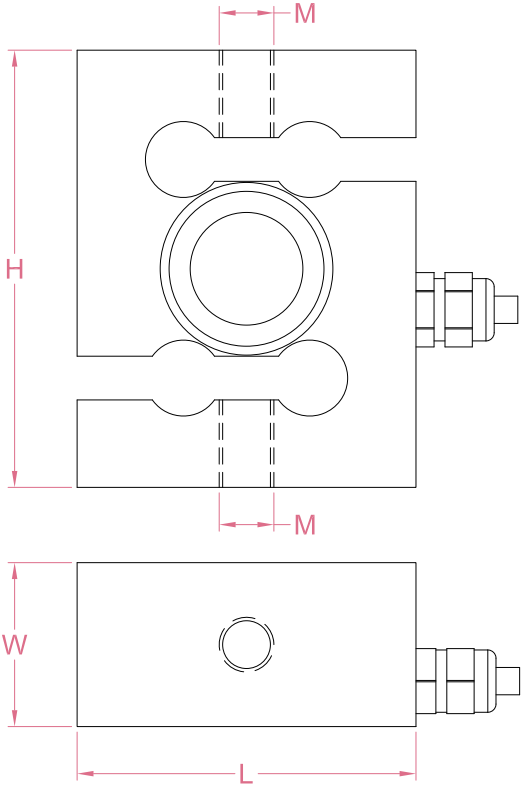




Dimensions in "mm"



Order example:

2 x LCS14 - 1t

Quantity      Model      Capacity

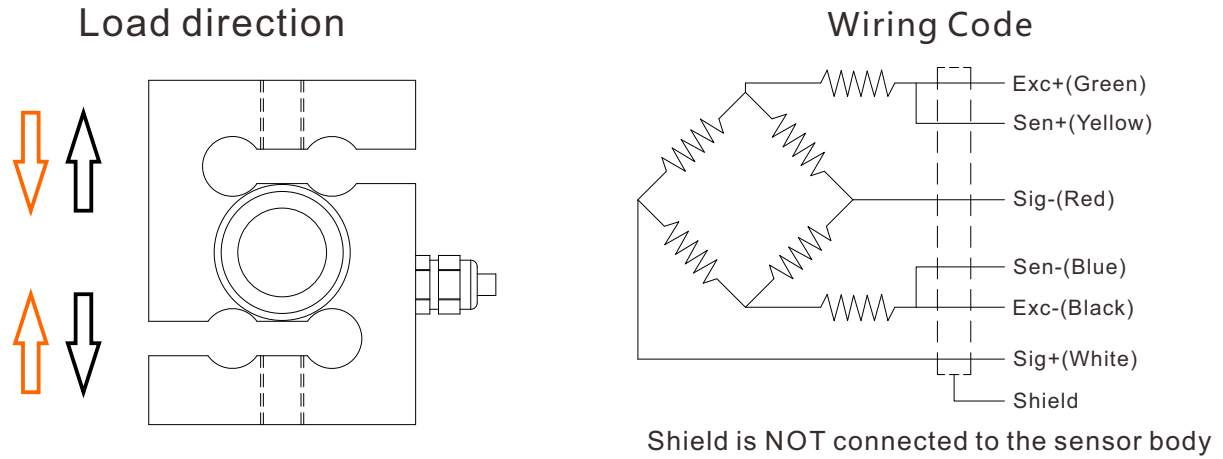
Email to [sales@loadcellsensor.com](mailto:sales@loadcellsensor.com) for a quote

Capacity	L	W	H	M
0.2/0.5/1t	62	30	80	M10*1
2t	71	45	90	M16*1.5
3t	80	50	100	M18*1.5
5t	92	58	130	M20*2

Specifications			
Rated Capacity	0.2/0.5/1/2/3/5 ton		
Rated Output	2.0 mV/V	Compensated Temp.	0...+40°C
Excitation	3~15V	Operating Temp.	-20...+65°C
Zero Balance	±0.03 mV/V	Temp. Coeff. of Zero	±0.005% F.S./°C
Nonlinearity	±0.03% F.S.	Temp. Coeff. of Span	±0.005% F.S./°C
Hysteresis	±0.03% F.S.	Input Resistance	385±50 Ohms
Nonrepeatability	±0.03% F.S.	Output Resistance	352±5 Ohms
Creep(5min)	±0.03% F.S.	Insulation Resistance	>2000M Ohms(50V)
Safe Load Limit	150% F.S.	IP Rating	IP67
Breaking Load	200% F.S.	Element Material	Stainless steel
Cable	Ø5.8*6000mm 6-conductor shielded cable		

• LCS reserves the right to modify its design and specifications without notice





### Sensor/Amplifier/Indicator

Items	Power supply	Output/Function
LCS14	3-15V (Constant)	-30mV...+30mV (Depending on the power supply)
LCS14 + Analog amplifier	12~24V DC	0-3.3V,0-5V,0-10V,0-2.5-5V,0-5-10V -3.3-3.3V,-5-5V,-10-10V 0-20mA,4-20mA,4-12-20mA...
LCS14 + Digital amplifier	12~24V DC	RS485 or RS232 output
LCS14 + Indicator	12~24V DC	Display force value Switch/Relay output Peak holding RS485/RS232 interface 0-5V/0-10V/4-20mA output
<a href="#">Email us for datasheet of amplifier and indicator</a>		