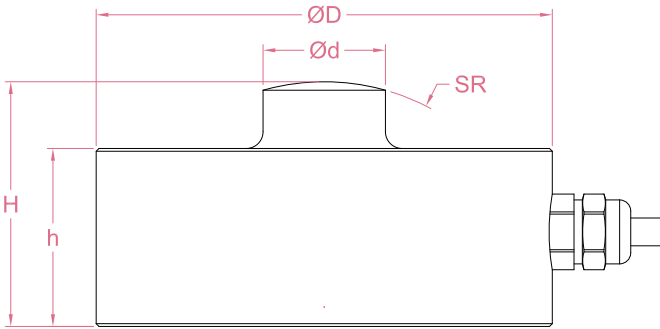
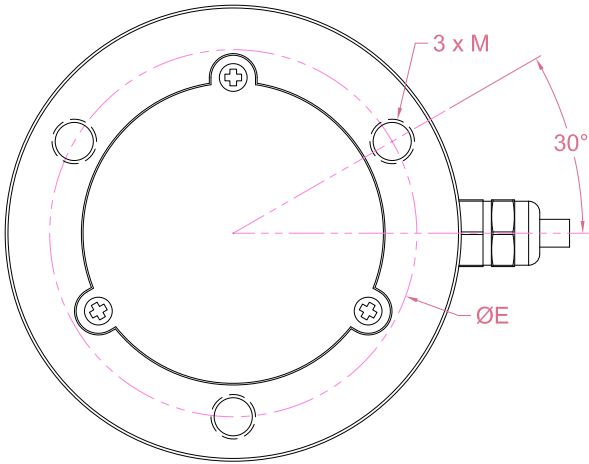




Dimensions in "mm"



| Capacity | D | H | h | E | M | d | SR | Price |
|----------------|-----|----|----|----|---------|----|----|-----------|
| 3/5/10kN | 78 | 40 | 32 | 64 | M6*1 | 15 | 40 | 116usd/pc |
| 20/30/50/100kN | 82 | 44 | 32 | 66 | M8*1.25 | 22 | 50 | 139usd/pc |
| 150/200/300kN | 127 | 70 | 62 | 90 | M10*1.5 | 25 | 60 | 185usd/pc |

Order example:

2 x LCB11 - 50kN

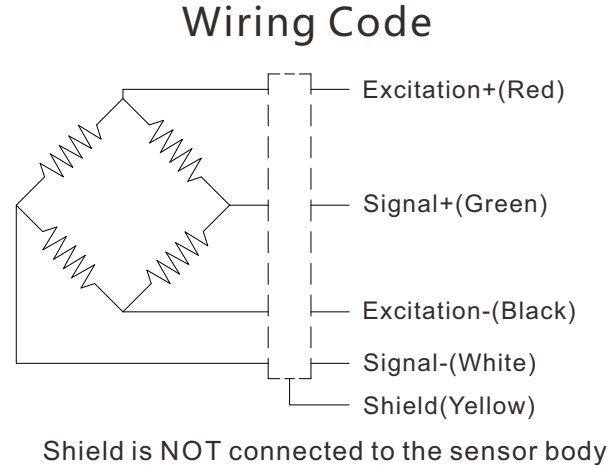
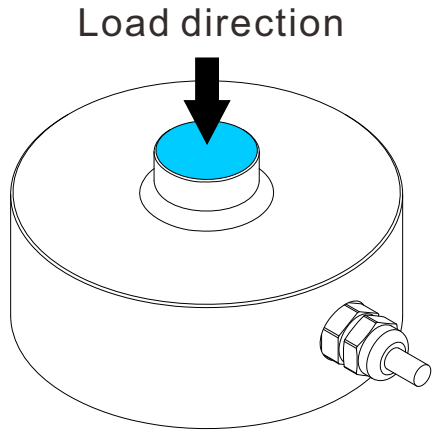
Quantity Model Capacity

Email to sales@loadcellsensor.com for a quote

| Specifications | | | |
|------------------|--------------------------------------------------------------------------------------------------|-----------------------|------------------|
| Rated Capacity | 3/5/10/20/30/50/100/150/200/300 kN | | |
| Rated Output | 2.0 mV/V | Compensated Temp. | 0...+40°C |
| Excitation | 3~15V | Operating Temp. | -20...+60°C |
| Zero Balance | ±0.05 mV/V | Temp. Coeff. of Zero | ±0.005% F.S./°C |
| Nonlinearity | ±0.05% F.S. >50kN: ±0.1% F.S. | Temp. Coeff. of Span | ±0.005% F.S./°C |
| Hysteresis | ±0.05% F.S. >50kN: ±0.1% F.S. | Input Resistance | 750±100 Ohms |
| Nonrepeatability | ±0.03% F.S. >50kN: ±0.05% F.S. | Output Resistance | 700±50 Ohms |
| Creep(5min) | ±0.03% F.S. | Insulation Resistance | >2000M Ohms(50V) |
| Safe Load Limit | 150% F.S. | IP Rating | IP65 |
| Breaking Load | 200% F.S. | Element Material | Stainless steel |
| Cable | 3~30kN: Ø5*3000mm 4-conductor shielded cable 50~300kN: Ø5.8*6000mm 4-conductor shielded cable | | |

• LCS reserves the right to modify its design and specifications without notice





Sensor/Amplifier/Indicator

| Items | Power supply | Output/Function |
|---------------------------------|---------------------|-----------------------------------------------------------------------------------------------------------------|
| LCB11 | 3-15V (Constant) | 0mV...+30mV (Depending on the power supply) |
| LCB11 + Analog amplifier | 12~24V DC | 0-3.3V,0-5V,0-10V, 0-20mA,4-20mA... |
| LCB11 + Digital amplifier | 12~24V DC | RS485 or RS232 output |
| LCB11 + Indicator | 12~24V DC | Display force value Switch/Relay output Peak holding RS485/RS232 interface 0-5V/0-10V/4-20mA output |

[Email us for datasheet of amplifier and indicator](#)

Customization options

| |
|---------------------------------------------|
| Cable (Length/Specifications/Connectors) |
| Dimensions and measuring range |
| Working Temperature (-40°C...+150°C) |
| IP Rating (Up to IP68) |