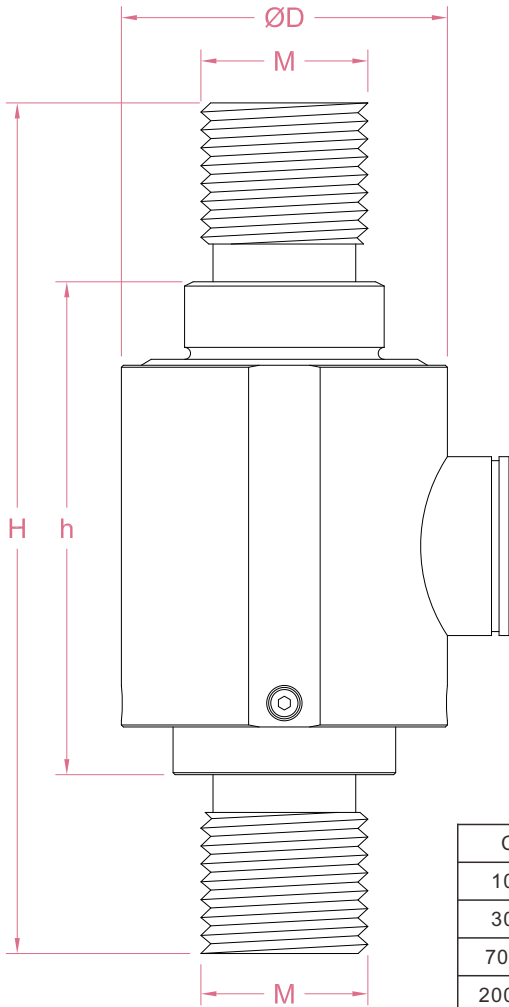




Dimensions in "mm"



Order example:

2 x LCR18 - 500kN

Quantity Model Capacity

Email to sales@loadcellsensor.com for a quote

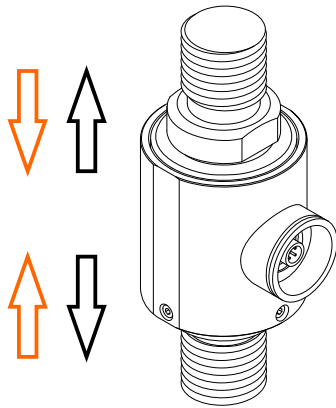
Capacity	D	H	h	M
100/200kN	82	214	124	M42*4.5
300/500kN	106	276	156	M56*5.5
700/1000kN	142	380	180	M76*4
2000/3000kN	175	500	220	M130*6

Specifications			
Rated Capacity	100/200/300/500/700/1000/2000/3000 kN		
Rated Output	2.0 mV/V	Compensated Temp.	0...+40°C
Excitation	3~15V	Operating Temp.	-20...+60°C
Zero Balance	±0.05 mV/V	Temp. Coeff. of Zero	±0.005% F.S./°C
Nonlinearity	±0.1% F.S. >1000kN:±0.3% F.S.	Temp. Coeff. of Span	±0.005% F.S./°C
Hysteresis	±0.1% F.S. >1000kN:±0.3% F.S.	Input Resistance	380/750±100 Ohms
Nonrepeatability	±0.1% F.S. >1000kN:±0.2% F.S.	Output Resistance	350/700±50 Ohms
Creep(5min)	±0.05% F.S. >1000kN:±0.1% F.S.	Insulation Resistance	>2000M Ohms(50V)
Safe Load Limit	150% F.S.	IP Rating	IP62
Breaking Load	180% F.S.	Element Material	Alloy steel
Cable	Ø5.8*6000mm 4-conductor shielded cable		

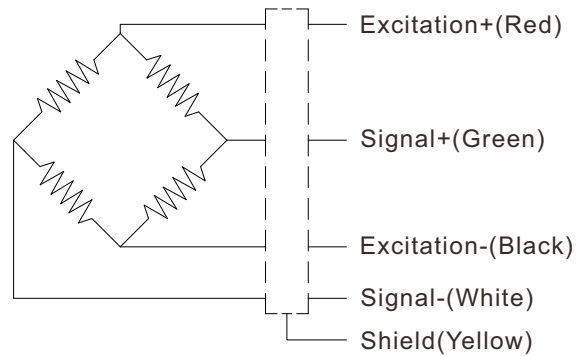
• LCS reserves the right to modify its design and specifications without notice



Load direction



Wiring Code@Compression



Shield is NOT connected to the sensor body

Sensor/Amplifier/Indicator

Items	Power supply	Output/Function
LCR18	3-15V (Constant)	-30mV...+30mV (Depending on the power supply)
LCR18 + Analog amplifier	12~24V DC	0-3.3V,0-5V,0-10V,0-2.5-5V,0-5-10V -3.3-3.3V,-5-5V,-10-10V 0-20mA,4-20mA,4-12-20mA...
LCR18 + Digital amplifier	12~24V DC	RS485 or RS232 output
LCR18 + Indicator	12~24V DC	Display force value Switch/Relay output Peak holding RS485/RS232 interface 0-5V/0-10V/4-20mA output

[Email us for datasheet of amplifier and indicator](mailto:sales@loadcellsensor.com)

Customization options

Cable (Length/Specifications/Connectors)
Dimensions and measuring range