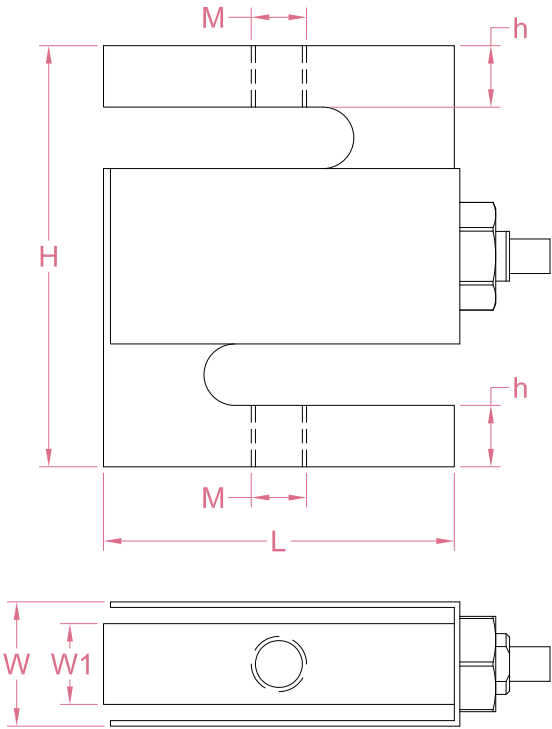




Dimensions in "mm"



| Capacity | L | H | W | W1 | h | M |
|-----------|-------|-------|----|------|------|----------|
| 50/100kg | 50.8 | 61 | 18 | 11.7 | 8.9 | M8*1.25 |
| 250/500kg | 50.8 | 61 | 25 | 18 | 8.9 | M12*1.75 |
| 1t | 50.8 | 61 | 31 | 24.4 | 8.9 | M12*1.75 |
| 2.5t | 76.2 | 99.1 | 31 | 24.4 | 14 | M20*1.5 |
| 5t | 74.7 | 99.1 | 38 | 30.7 | 18.4 | M20*1.5 |
| 7.5t | 87.4 | 139.7 | 45 | 37.1 | 27.5 | M24*2 |
| 10t | 112.8 | 177.8 | 50 | 42.9 | 39.9 | M30*2 |

Order example:

2 x LCS13 - 100kg

Quantity Model Capacity

Email to sales@loadcellsensor.com for a quote

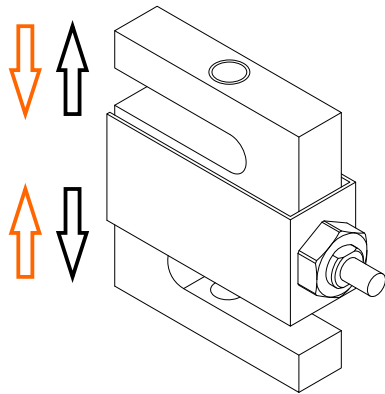
| Specifications | | | |
|------------------|--------------------------------------|-----------------------|------------------|
| Rated Capacity | 50/100/250/500 kg 1/2.5/5/7.5/10t | | |
| Rated Output | 3.0±0.01 mV/V | Compensated Temp. | -10...+40°C |
| Excitation | 3~15V | Operating Temp. | -30...+70°C |
| Zero Balance | ±0.03 mV/V | Temp. Coeff. of Zero | ±0.002% F.S./°C |
| Nonlinearity | ±0.02% F.S. | Temp. Coeff. of Span | ±0.002% F.S./°C |
| Hysteresis | ±0.02% F.S. | Input Resistance | 430±60 Ohms |
| Nonrepeatability | ±0.015% F.S. | Output Resistance | 352±5 Ohms |
| Creep(30min) | ±0.02% F.S. | Insulation Resistance | >2000M Ohms(50V) |
| Safe Load Limit | 150% F.S. | IP Rating | IP67 |
| Breaking Load | 250% F.S. | Element Material | Stainless steel |
| Cable | Ø5*6000mm 4-conductor shielded cable | | |

• LCS reserves the right to modify its design and specifications without notice

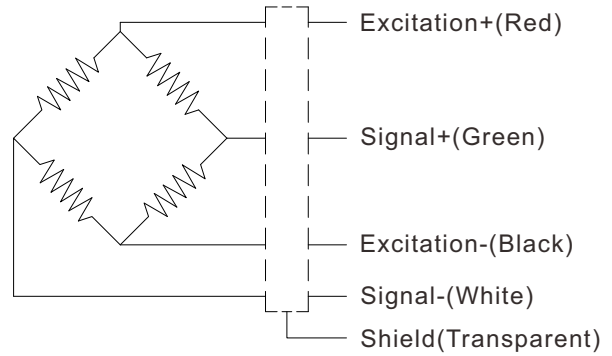




Load direction



Wiring Code@Compression



Shield is NOT connected to the sensor body

