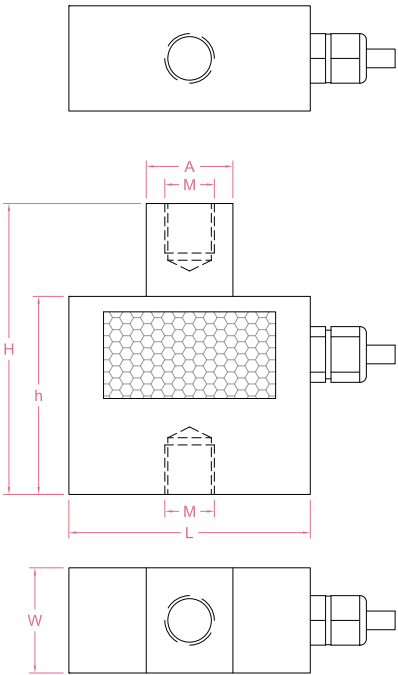


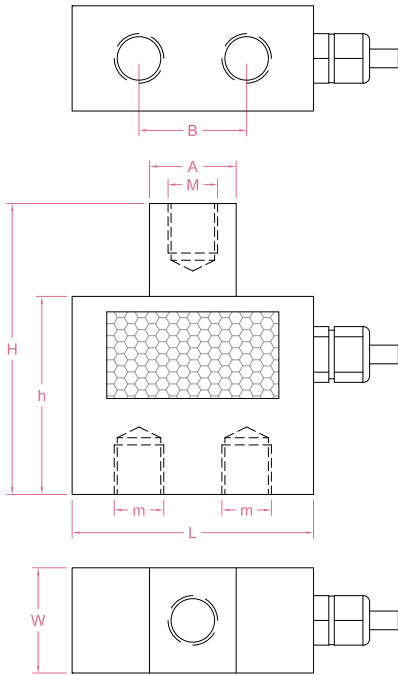


Dimensions in "mm"

Version A



Version B



Capacity	L	W	H	h	A	M	B	m
50~500kg	39	17	47	32	14	M8*1.25 DP 8	20	M8*1.25 DP 8
1000kg	42	22	53	35	19	M12*1.75 DP 10	22	M10*1.5 DP 10
2000kg	65	36	77	50	32	M20*1.5 DP 12	32	M18*2.5 DP 12
5000kg						M24*2 DP 15		M20*2.5 DP 12

Order example:

2 x SLCB - A - 100kg

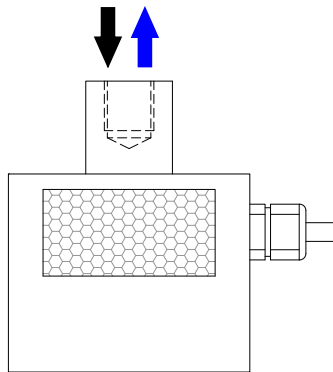
Quantity Model Version Capacity
Email to sales@loadcellsensor.com for a quote

Specifications			
Rated Capacity	50/100/200/500/1000/2000/5000 kg		
Rated Output	1.0~1.5 mV/V	Compensated Temp.	0...+40°C
Excitation	3~12V	Operating Temp.	-20...+60°C
Zero Balance	±0.05 mV/V	Temp. Coeff. of Zero	±0.02% F.S./°C
Nonlinearity	±0.3% F.S.	Temp. Coeff. of Span	±0.02% F.S./°C
Hysteresis	±0.3% F.S.	Input Resistance	380±30 Ohms
Nonrepeatability	±0.1% F.S.	Output Resistance	350±10 Ohms
Creep(3min)	±0.1% F.S.	Insulation Resistance	>2000M Ohms(50V)
Safe Load Limit	150% F.S.	IP Rating	IP62
Breaking Load	200% F.S.	Element Material	Stainless steel
Cable	(≥1000kg: Ø4*3000mm) Ø3*3000mm 4-conductor shielded cable		

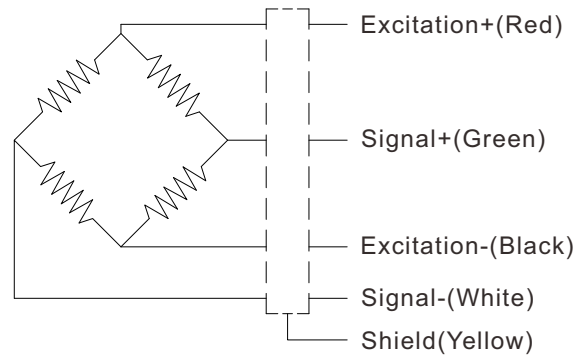
• LCS reserves the right to modify its design and specifications without notice



Load direction



Wiring Code@Compression



Shield is NOT connected to the sensor body

Sensor/Amplifier/Indicator

Items	Power supply	Output/Function
SLCB	3-12V (Constant)	-18mV...+18mV (Depending on the power supply)
SLCB + Analog amplifier	12~24V DC	0-3.3V,0-5V,0-10V,0-2.5-5V,0-5-10V -3.3-3.3V,-5-5V,-10-10V 0-20mA,4-20mA,4-12-20mA...
SLCB + Digital amplifier	12~24V DC	RS485 or RS232 output
SLCB + Indicator	12~24V DC	Display force value Switch/Relay output Peak holding RS485/RS232 interface 0-5V/0-10V/4-20mA output

[Email us for datasheet of amplifier and indicator](#)

Customization options

Cable (Length/Specifications/Connectors)
Dimensions and measuring range
Working Temperature (-30°C...+120°C)