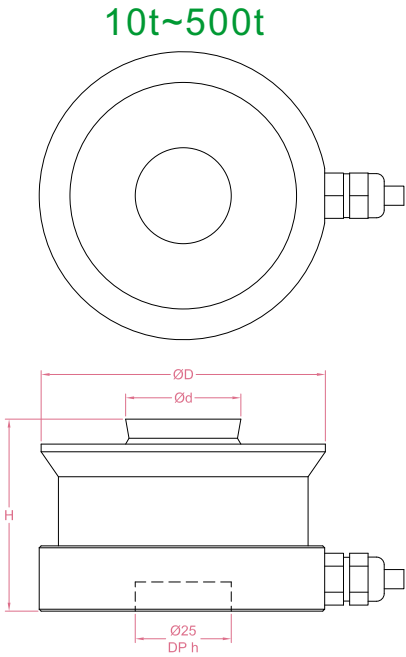
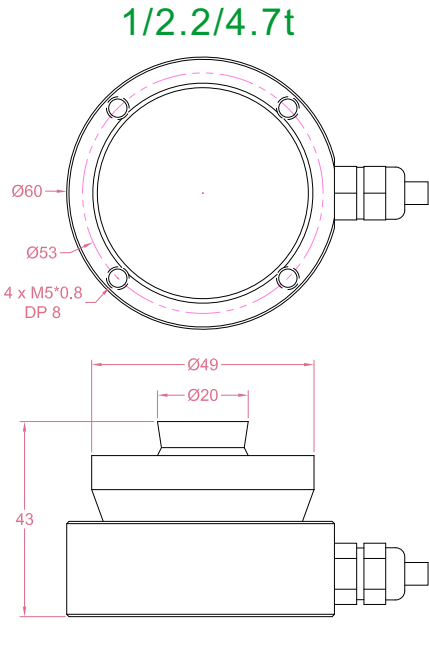




Dimensions in "mm"



| Capacity | H | D | d | h | Price |
|------------|-----|-----|-----|-----|-----------|
| 1/2.2/4.7t | / | / | / | / | 189usd/pc |
| 10/15/22t | 50 | 75 | 30 | 7.6 | 220usd/pc |
| 33t | 65 | 95 | 40 | 7.6 | 325usd/pc |
| 47t | 75 | 130 | 60 | 7.6 | 490usd/pc |
| 68t | 85 | 130 | 60 | 7.6 | 520usd/pc |
| 100t | 90 | 150 | 70 | 7.6 | 799usd/pc |
| 150t | 100 | 150 | 70 | 7.6 | 865usd/pc |
| 220/330t | 145 | 225 | 100 | 7.5 | Consult |
| 500t | 170 | 270 | 100 | 10 | |

Order example:

1 x SRTN - 4.7t
Quantity Model Capacity

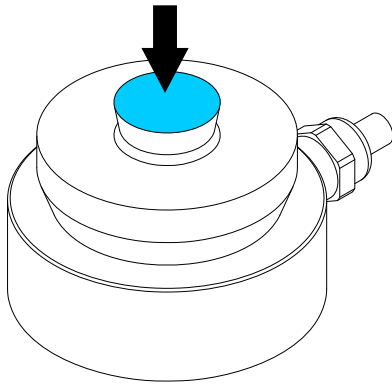
Email to sales@loadcellsensor.com for a quote

| Specifications | | | |
|------------------|---|-----------------------|------------------|
| Rated Capacity | 1/2.2/4.7/10/15/22/33/47/68/100/150/220/330/500 ton | | |
| Rated Output | 2.85 mV/V | Compensated Temp. | 0...+40°C |
| Excitation | 3~15V | Operating Temp. | -20...+65°C |
| Zero Balance | ±0.05 mV/V | Temp. Coeff. of Zero | ±0.05% F.S./10°C |
| Nonlinearity | 1~47t: ±0.05% F.S. 68~220t: ±0.1% F.S. 330~500t: ±0.3% F.S. | Temp. Coeff. of Span | ±0.05% F.S./10°C |
| Hysteresis | 1~47t: ±0.05% F.S. 68~220t: ±0.1% F.S. 330~500t: ±0.3% F.S. | Input Resistance | 4450±200 Ohms |
| Nonrepeatability | 1~47t: ±0.05% F.S. 68~220t: ±0.1% F.S. 330~500t: ±0.3% F.S. | Output Resistance | 4000±10 Ohms |
| Creep(5min) | ±0.05% F.S. | Insulation Resistance | >2000M Ohms(50V) |
| Safe Load Limit | 150% F.S. | IP Rating | IP67 |
| Breaking Load | 200% F.S. | Element Material | Stainless steel |
| Cable | Ø5*10000mm 4-conductor shielded cable | | |

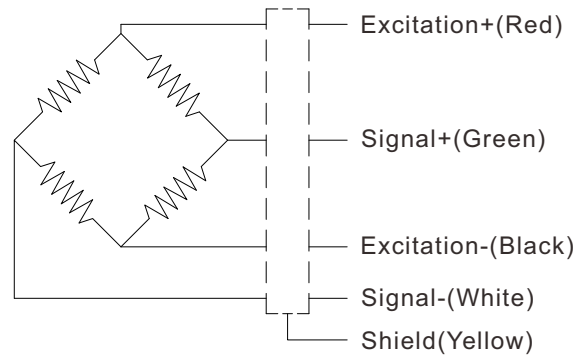
• LCS reserves the right to modify its design and specifications without notice



Load direction



Wiring Code



Shield is NOT connected to the sensor body

Sensor/Amplifier/Indicator

| Items | Power supply | Output/Function |
|--------------------------------|---------------------|---|
| SRTN | 3-15V (Constant) | 0mV...+43mV (Depending on the power supply) |
| SRTN + Analog amplifier | 12~24V DC | 0-3.3V,0-5V,0-10V, 0-20mA,4-20mA... |
| SRTN + Digital amplifier | 12~24V DC | RS485 or RS232 output |
| SRTN + Indicator | 12~24V DC | Display force value Switch/Relay output Peak holding RS485/RS232 interface 0-5V/0-10V/4-20mA output |

[Email us for datasheet of amplifier and indicator](#)

Customization options

| |
|---|
| Cable (Length/Specifications/Connectors) |
| Dimensions and measuring range |
| Working Temperature (-40°C...+150°C) |