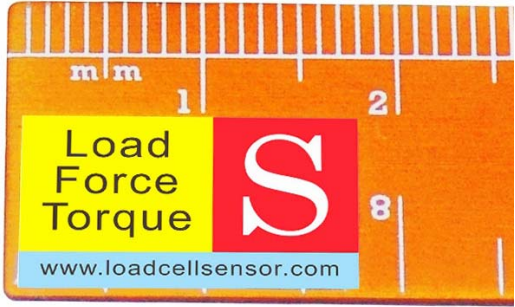
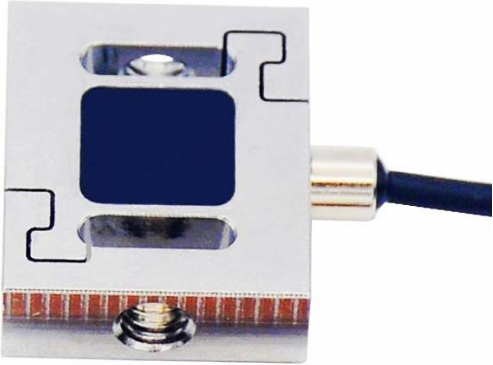
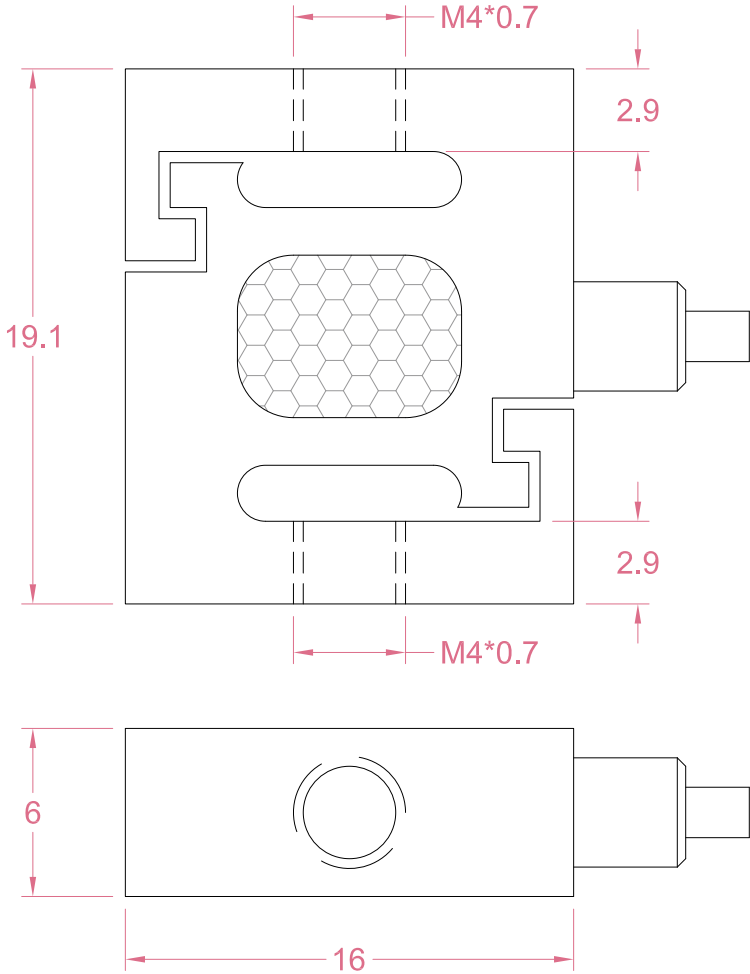




Dimensions in "mm"



Order example:

2 x LCS03 - 10kg

Quantity Model Capacity

Email to sales@loadcellsensor.com for a quote

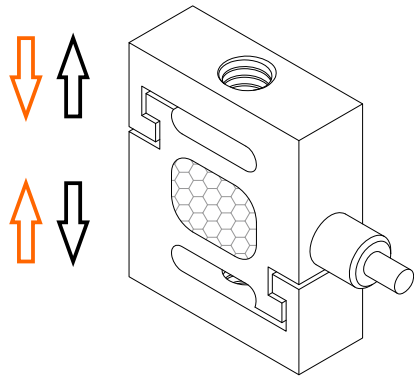
| Specifications | | | |
|------------------|--------------------------------------|-----------------------|------------------|
| Rated Capacity | 5/10/20/30/50 kg | | |
| Rated Output | 2.0 mV/V | Compensated Temp. | 0...+40°C |
| Excitation | 3~12V | Operating Temp. | -20...+60°C |
| Zero Balance | ±0.1 mV/V | Temp. Coeff. of Zero | ±0.02% F.S./°C |
| Nonlinearity | ±0.1% F.S. | Temp. Coeff. of Span | ±0.02% F.S./°C |
| Hysteresis | ±0.1% F.S. | Input Resistance | 380±30 Ohms |
| Nonrepeatability | ±0.05% F.S. | Output Resistance | 350±5 Ohms |
| Creep(5min) | ±0.05% F.S. | Insulation Resistance | >2000M Ohms(50V) |
| Safe Load Limit | 150% F.S. | IP Rating | IP62 |
| Breaking Load | 200% F.S. | Element Material | Stainless steel |
| Cable | Ø2*4000mm 4-conductor shielded cable | | |

• LCS reserves the right to modify its design and specifications without notice

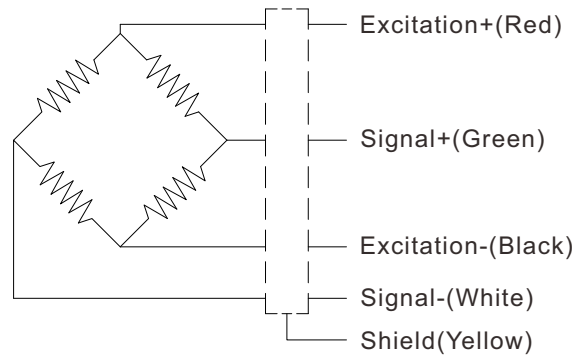




Load direction

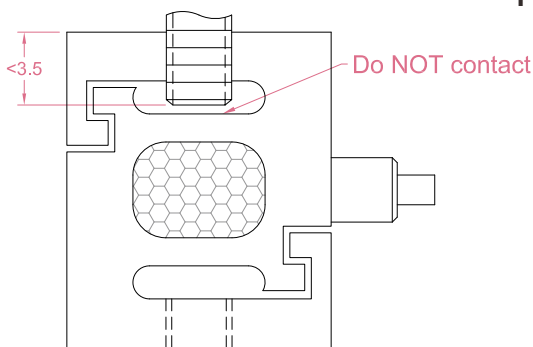


Wiring Code@Compression



Shield is NOT connected to the sensor body

Precautions



The mounting depth of the bolt is recommended to be less than 3.5mm to keep distance from the "Do NOT contact" surface. Same for both sides.

Sensor/Amplifier/Indicator

| Items | Power supply | Output/Function |
|---------------------------------|---------------------|-----------------------------------------------------------------------------------------------------------------|
| LCS03 | 3-12V (Constant) | -24mV...+24mV (Depending on the power supply) |
| LCS03 + Analog amplifier | 12~24V DC | 0-3.3V,0-5V,0-10V,0-2.5-5V,0-5-10V -3.3-3.3V,-5-5V,-10-10V 0-20mA,4-20mA,4-12-20mA... |
| LCS03 + Digital amplifier | 12~24V DC | RS485 or RS232 output |
| LCS03 + Indicator | 12~24V DC | Display force value Switch/Relay output Peak holding RS485/RS232 interface 0-5V/0-10V/4-20mA output |

[Email us for datasheet of amplifier and indicator](mailto:sales@loadcellsensor.com)

