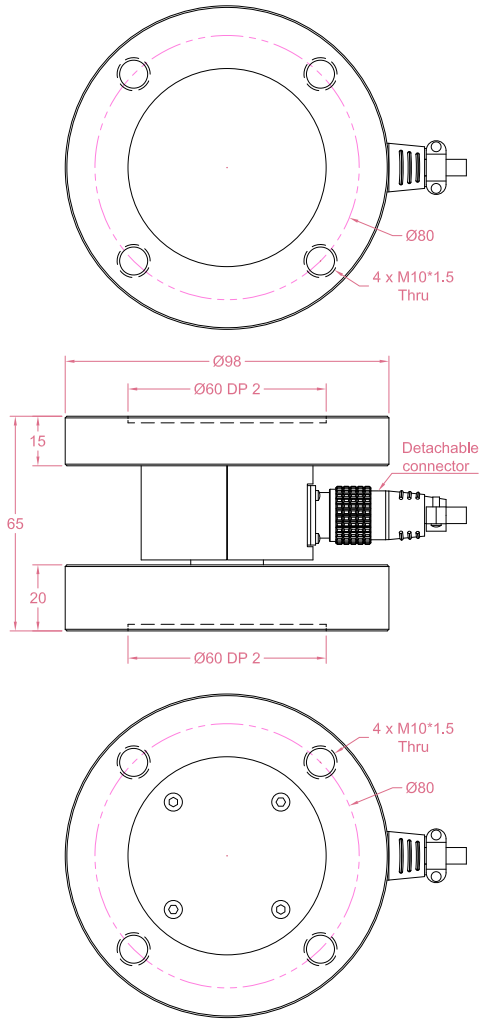




Dimensions in "mm"



Ordering part No.: Model - Code			
Model	Code	Force Capacity	Torque Capacity
LCM10	A	1kN	10Nm
	B	2kN	20Nm
	C	3kN	30Nm
	D	5kN	50Nm
	E	10kN	100Nm

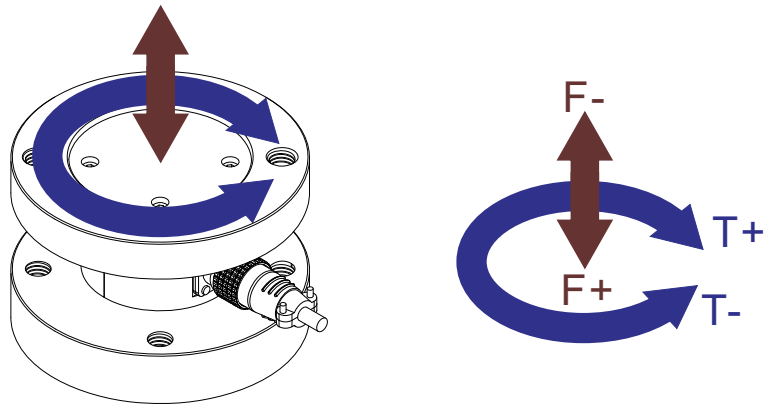
Order example:
1 x LCM10-B
Email to sales@loadcellsensor.com for a quote

Specifications			
Rated Capacity	Refer to ordering part No.		
Rated Output	>0.5 mV/V	Compensated Temp.	0...+40°C
Excitation	3~15V	Operating Temp.	-10...+60°C
Zero Balance	±0.05 mV/V	Temp. Coeff. of Zero	±0.03% F.S./°C
Nonlinearity	±0.3% F.S.	Temp. Coeff. of Span	±0.03% F.S./°C
Hysteresis	±0.3% F.S.	Input Resistance	350~1000 Ohms
Nonrepeatability	±0.2% F.S.	Output Resistance	350~1000 Ohms
Creep(3min)	±0.1% F.S.	Insulation Resistance	>2000M Ohms(50V)
Safe Load Limit	150% F.S.	IP Rating	IP50
Breaking Load	200% F.S.	Element Material	Stainless steel
Cable	Ø6*3000mm 8-conductor shielded cable		

• LCS reserves the right to modify its design and specifications without notice

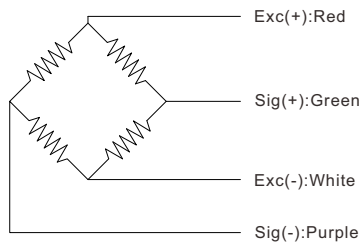


Load direction

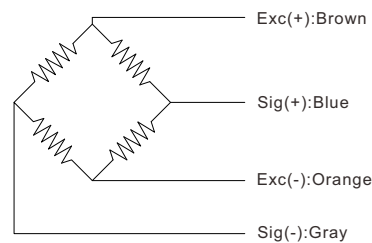


Wiring Code

Force axis



Torque axis



Shield is NOT connected to the sensor body

Sensor/Amplifier/Indicator

Items	Power supply	Output/Function
LCM10	3-15V (Constant)	-25mV...+25mV (Depending on the power supply)
LCM10 + Analog amplifier	12~24V DC	0-3.3V,0-5V,0-10V,0-2.5-5V,0-5-10V -3.3-3.3V,-5-5V,-10-10V 0-20mA,4-20mA,4-12-20mA...
LCM10 + Digital amplifier	12~24V DC	RS485 or RS232 output
Email us for datasheet of amplifiers		