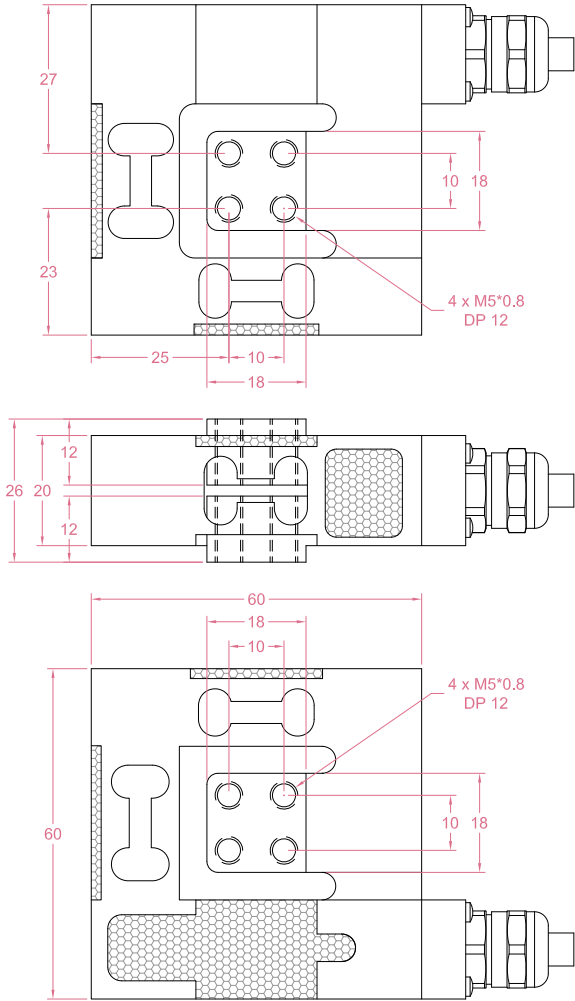




Dimensions in "mm"



Order example:

2 x LCM02 - 500N

Quantity Model Capacity (Fx=Fy=Fz)

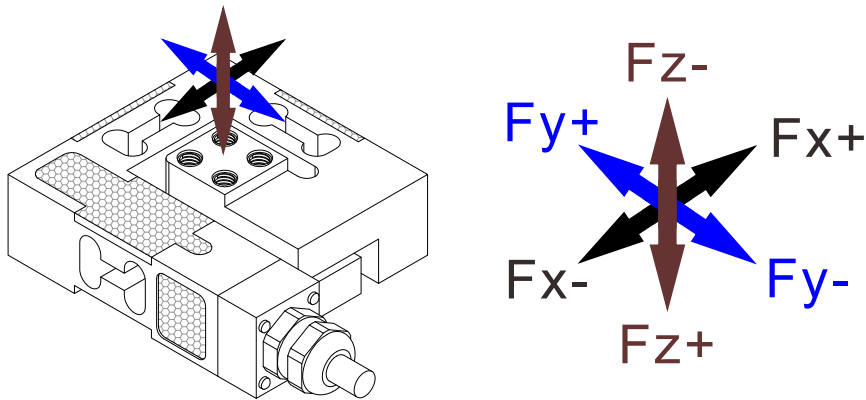
Email to sales@loadcellsensor.com for a quote

Specifications			
Rated Capacity	Fx=Fy=Fz=100/200/300/500/1000 N		
Rated Output	1.0 mV/V	Crosstalk	<3% F.S.
Excitation	3~12V	Operating Temp.	-10...+60°C
Zero Balance	±0.05 mV/V	Temp. Coeff. of Zero	±0.03% F.S./°C
Nonlinearity	±0.2% F.S.	Temp. Coeff. of Span	±0.02% F.S./°C
Hysteresis	±0.2% F.S.	Input Resistance	385±30 Ohms
Nonrepeatability	±0.1% F.S.	Output Resistance	352±10 Ohms
Creep(3min)	±0.1% F.S.	Insulation Resistance	>2000M Ohms(50V)
Safe Load Limit	150% F.S.	IP Rating	IP62
Breaking Load	200% F.S.	Element Material	Stainless steel
Cable	Ø6*3000mm 12-conductor shielded cable		

• LCS reserves the right to modify its design and specifications without notice

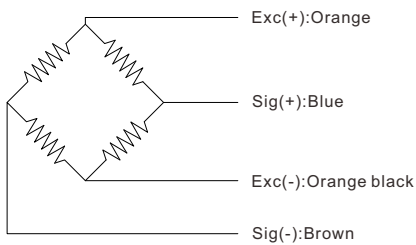


Load direction

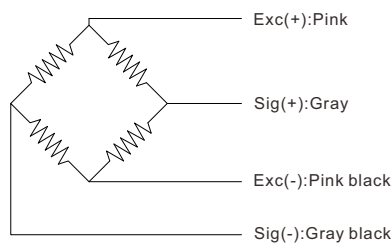


Wiring Code

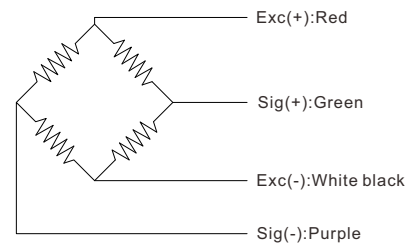
X-axis



Y-axis



Z-axis



Shield is NOT connected to the sensor body

Sensor/Amplifier/Indicator

Items	Power supply	Output/Function
LCM02	3-12V (Constant)	-12mV...+12mV (Depending on the power supply)
LCM02 + Analog amplifier	12~24V DC	0-3.3V,0-5V,0-10V,0-2.5-5V,0-5-10V -3.3-3.3V,-5-5V,-10-10V 0-20mA,4-20mA,4-12-20mA...
LCM02 + Digital amplifier	12~24V DC	RS485 or RS232 output

[Email us for datasheet of amplifiers](#)