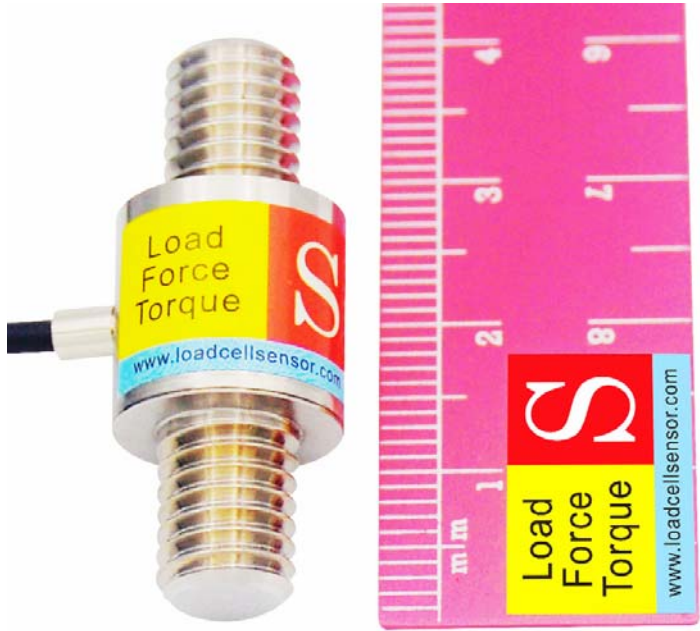
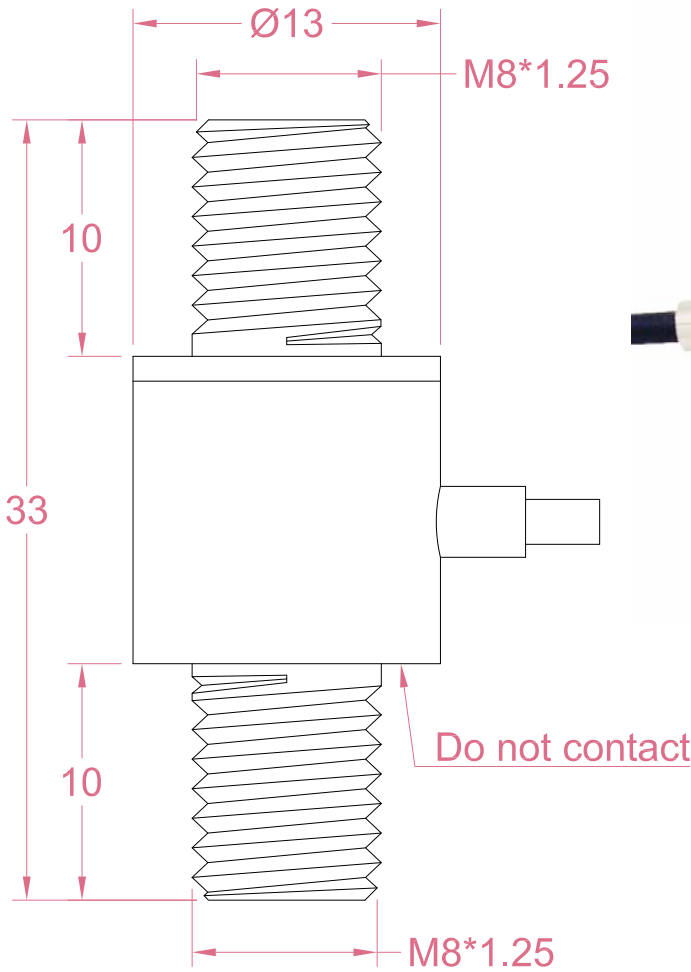




Dimensions in "mm"



Order example:

2 x LCR04 - 3kN

Quantity      Model      Capacity

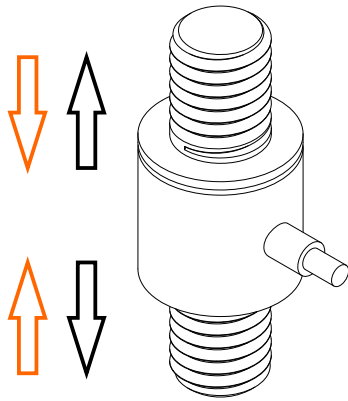
Email to [sales@loadcellsensor.com](mailto:sales@loadcellsensor.com) for a quote

| Specifications   |                                      |                       |                  |
|------------------|--------------------------------------|-----------------------|------------------|
| Rated Capacity   | 2/3/5 kN                             |                       |                  |
| Rated Output     | 1.0 mV/V                             | Compensated Temp.     | 0...+40°C        |
| Excitation       | 3~10V                                | Operating Temp.       | -20...+60°C      |
| Zero Balance     | ±0.1 mV/V                            | Temp. Coeff. of Zero  | ±0.05% F.S./°C   |
| Nonlinearity     | ±1% F.S.                             | Temp. Coeff. of Span  | ±0.05% F.S./°C   |
| Hysteresis       | ±1% F.S.                             | Input Resistance      | 380±50 Ohms      |
| Nonrepeatability | ±0.3% F.S.                           | Output Resistance     | 350±10 Ohms      |
| Creep(3min)      | ±0.1% F.S.                           | Insulation Resistance | >2000M Ohms(50V) |
| Safe Load Limit  | 150% F.S.                            | IP Rating             | IP50             |
| Breaking Load    | 180% F.S.                            | Element Material      | Stainless steel  |
| Cable            | Ø2*2000mm 4-conductor shielded cable |                       |                  |

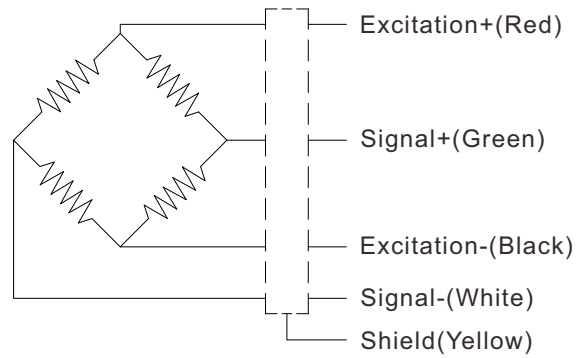
• LCS reserves the right to modify its design and specifications without notice



Load direction



Wiring Code@Compression



Shield is NOT connected to the sensor body

Sensor/Amplifier/Indicator

| Items                           | Power supply        | Output/Function   |
|---------------------------------|---------------------|---|
| LCR04                           | 3-10V<br>(Constant) | -10mV...+10mV<br>(Depending on the power supply)  |
| LCR04<br>+<br>Analog amplifier  | 12~24V DC           | 0-3.3V,0-5V,0-10V,0-2.5-5V,0-5-10V<br>-3.3-3.3V,-5-5V,-10-10V<br>0-20mA,4-20mA,4-12-20mA...                     |
| LCR04<br>+<br>Digital amplifier | 12~24V DC           | RS485 or RS232 output   |
| LCR04<br>+<br>Indicator         | 12~24V DC           | Display force value<br>Switch/Relay output<br>Peak holding<br>RS485/RS232 interface<br>0-5V/0-10V/4-20mA output |

[Email us for datasheet of amplifier and indicator](mailto:sales@loadcellsensor.com)

Customization options

|   |
|---|
| Cable<br>(Length/Specifications/Connectors) |
| Dimensions and measuring range              |