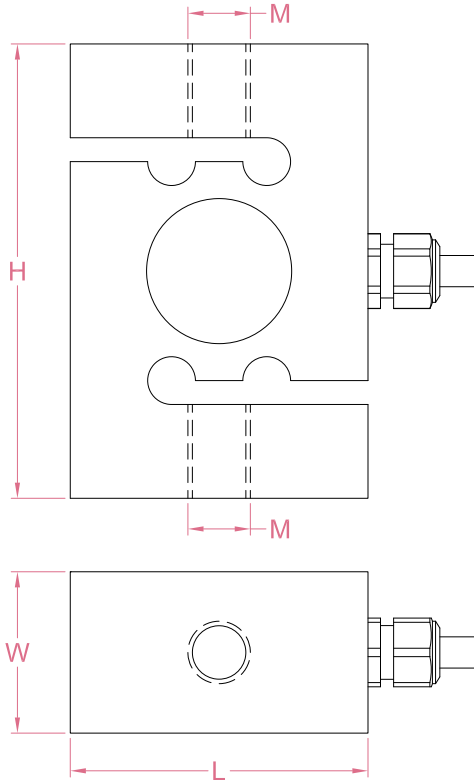




Dimensions in "mm"



Order example:

2 x LCS14 - 1t

Quantity Model Capacity

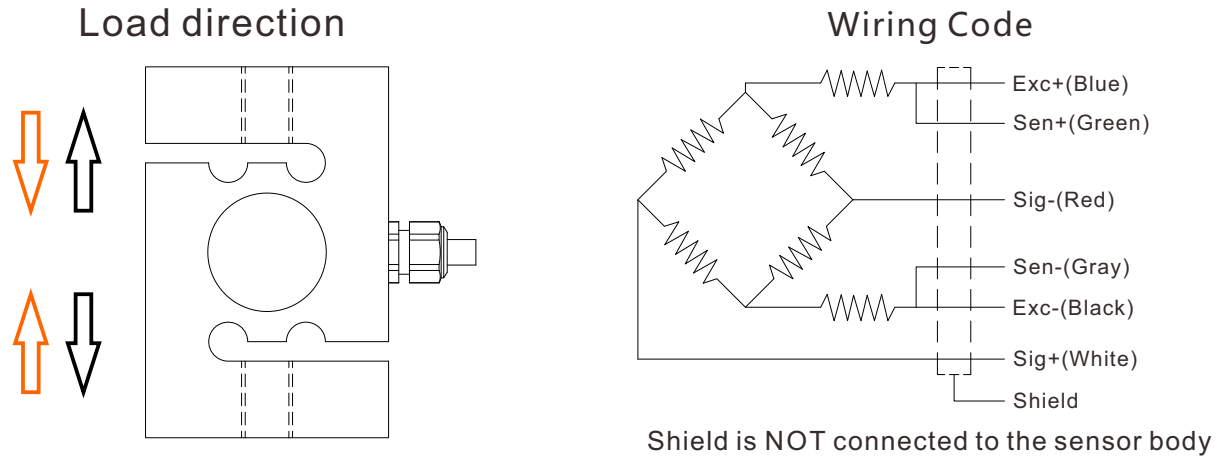
Email to sales@loadcellsensor.com for a quote

Capacity	L	W	H	M
50kg	50.8	25.4	63.5	M8*1.25
100/200kg	50.8	25.4	76.2	M12*1.75
500kg/1t	57.2	31	87.3	M12*1.75
2t/3t	69.8	36.5	100	M24*2
5t	76.2	36.5	114.3	M24*2

Specifications			
Rated Capacity	50/100/200/500/1000/2000/3000/5000 kg		
Rated Output	2.0 mV/V	Compensated Temp.	-10...+40°C
Excitation	3~15V	Operating Temp.	-20...+65°C
Zero Balance	±0.03 mV/V	Temp. Coeff. of Zero	±0.002% F.S./°C
Nonlinearity	±0.03% F.S.	Temp. Coeff. of Span	±0.002% F.S./°C
Hysteresis	±0.03% F.S.	Input Resistance	385±50 Ohms
Nonrepeatability	±0.02% F.S.	Output Resistance	352±5 Ohms
Creep(5min)	±0.02% F.S.	Insulation Resistance	>2000M Ohms(50V)
Safe Load Limit	150% F.S.	IP Rating	IP67
Breaking Load	200% F.S.	Element Material	Stainless steel
Cable	Ø5.4*3000mm 6-conductor shielded cable		

• LCS reserves the right to modify its design and specifications without notice





Sensor/Amplifier/Indicator

Items	Power supply	Output/Function
LCS14	3-15V (Constant)	-30mV...+30mV (Depending on the power supply)
LCS14 + Analog amplifier	12~24V DC	0-3.3V,0-5V,0-10V,0-2.5-5V,0-5-10V -3.3-3.3V,-5-5V,-10-10V 0-20mA,4-20mA,4-12-20mA...
LCS14 + Digital amplifier	12~24V DC	RS485 or RS232 output
LCS14 + Indicator	12~24V DC	Display force value Switch/Relay output Peak holding RS485/RS232 interface 0-5V/0-10V/4-20mA output

[Email us for datasheet of amplifier and indicator](#)