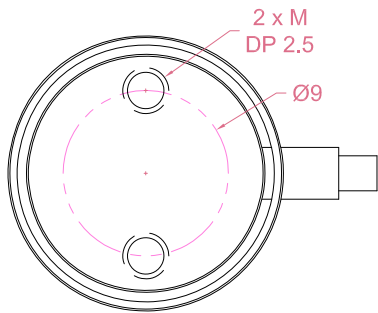
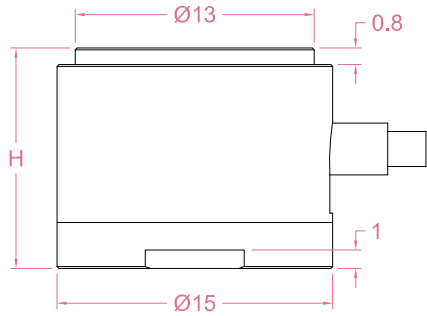
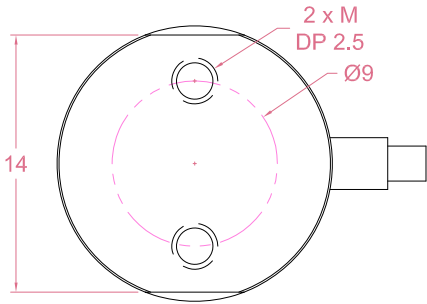




Dimensions in "mm"



Capacity	H	M
1/2/5/10/20kg	9	M2*0.4
50kg	12	M2.5*0.45
100/200kg	15	M3*0.5

Order example:

2 x LCF03 - 1kg

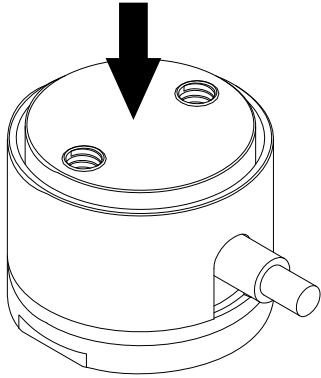
Quantity Model Capacity
Email to sales@loadcellsensor.com for a quote

Specifications			
Rated Capacity	1/2/5/10/20/50/100/200 kg		
Rated Output	2.0 mV/V	Compensated Temp.	0...+40°C
Excitation	3~12V	Operating Temp.	-20...+60°C
Zero Balance	±0.1 mV/V	Temp. Coeff. of Zero	±0.02% F.S./°C
Nonlinearity	±0.3% F.S.	Temp. Coeff. of Span	±0.02% F.S./°C
Hysteresis	±0.3% F.S.	Input Resistance	350/650±30 Ohms
Nonrepeatability	±0.1% F.S.	Output Resistance	350/650±10 Ohms
Creep(5min)	±0.1% F.S.	Insulation Resistance	>2000M Ohms(50V)
Safe Load Limit	150% F.S.	IP Rating	IP50
Breaking Load	200% F.S.	Element Material	Stainless steel
Cable	Ø2*3000mm 4-conductor shielded cable		

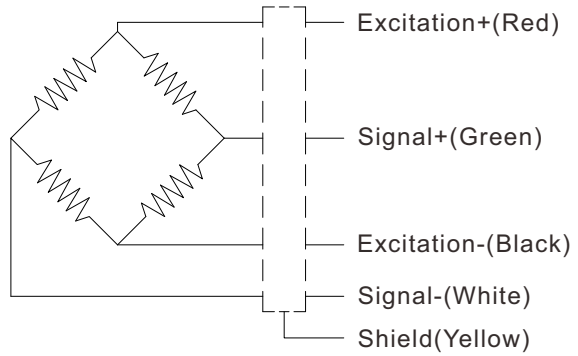
• LCS reserves the right to modify its design and specifications without notice



Load direction



Wiring Code



Shield is NOT connected to the sensor body

Sensor/Amplifier/Indicator

Items	Power supply	Output/Function
LCF03	3-12V (Constant)	0mV...+24mV (Depending on the power supply)
LCF03 + Analog amplifier	12~24V DC	0-3.3V,0-5V,0-10V, 0-20mA,4-20mA...
LCF03 + Digital amplifier	12~24V DC	RS485 or RS232 output
LCF03 + Indicator	12~24V DC	Display force value Switch/Relay output Peak holding RS485/RS232 interface 0-5V/0-10V/4-20mA output
Email us for datasheet of amplifier and indicator		